

深圳市安普盛科技有限公司

HMCORE

地址：深圳市南山区西丽街道留仙四街深圳国际创新谷 8 栋 A 座 1505 室


电话：0755-86185128

Data Sheet

—For

编号	N20230726
品牌	HMCORE
品名	HLR2
安普盛型号	HLR26-3LJ
客户料号	ZS882300061A
客户型号	
制作	WU
审核	Xzz, Siya
批准	Sky
日期	2023. 07. 26

客户承认签印	
日期	

UNLESS OTHER SPECIFIED TOLERANCES ON: X=± X.X=± X.XX=± ANGLES = ± HOLE DIA = ±		 深圳市安普盛科技有限公司	
SCALE: N/A	UNIT: mm		
DRAWN BY: WU	CHECKED BY: Xzz, Siya	THIS DRAWINGS AND SPECIFICATIONS ARE THE PROPERTY OF HONMAX TECHNOLOGY Limited AND SHALL NOT BE REPRODUCED OR USED AS THE BASIS FOR THE MANUFACTURE OR SALE OF APPARATUS OR DEVICES WITHOUT PERMISSION	
DESIGNED BY: WU	APPROVED BY: Sky		
TITLE: HLR26 Data Sheet	DOCUMENT NO.	N20230726	SPEC REV. R2



HLR26 Data Sheet

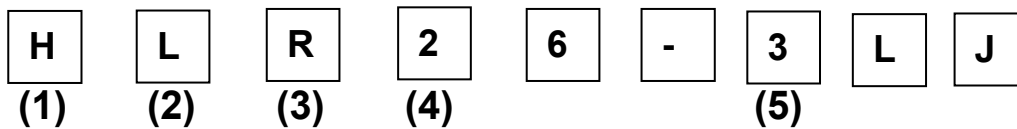
1. FEATURES:

- Light weight, compact
- K-BAND,
- Low cost
- Hidden mounting capability
- Maintains operation through harsh weather conditions (temperature, light, rain)

2. APPLICATIONS:

- Building and smart home (IoT)
- Lighting control
- Industrial robotics (Manufacturing robotics)

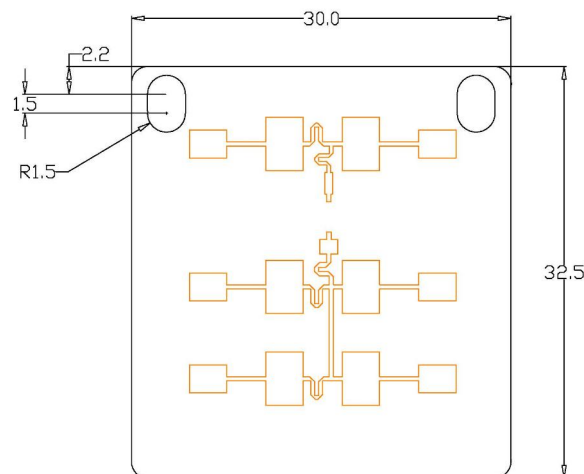
3. PRODUCT IDENTIFICATION




- (1) Honmax
- (2) L Series
- (3) Radar
- (4) Part No.26
- (5) Classification

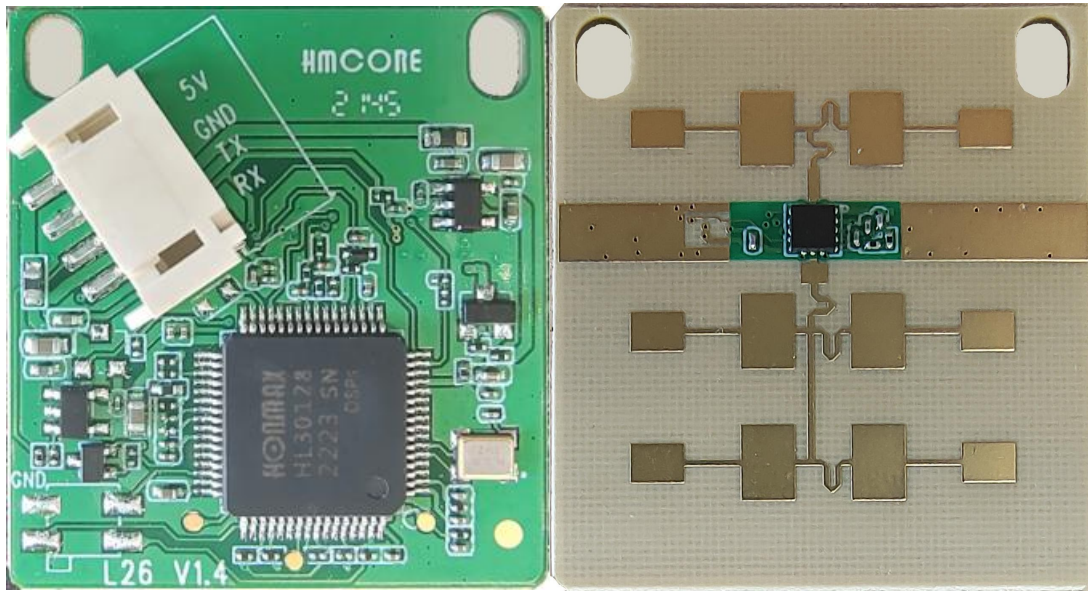
4. PCB SHAPE AND DIMENSIONS:

Unit:mm

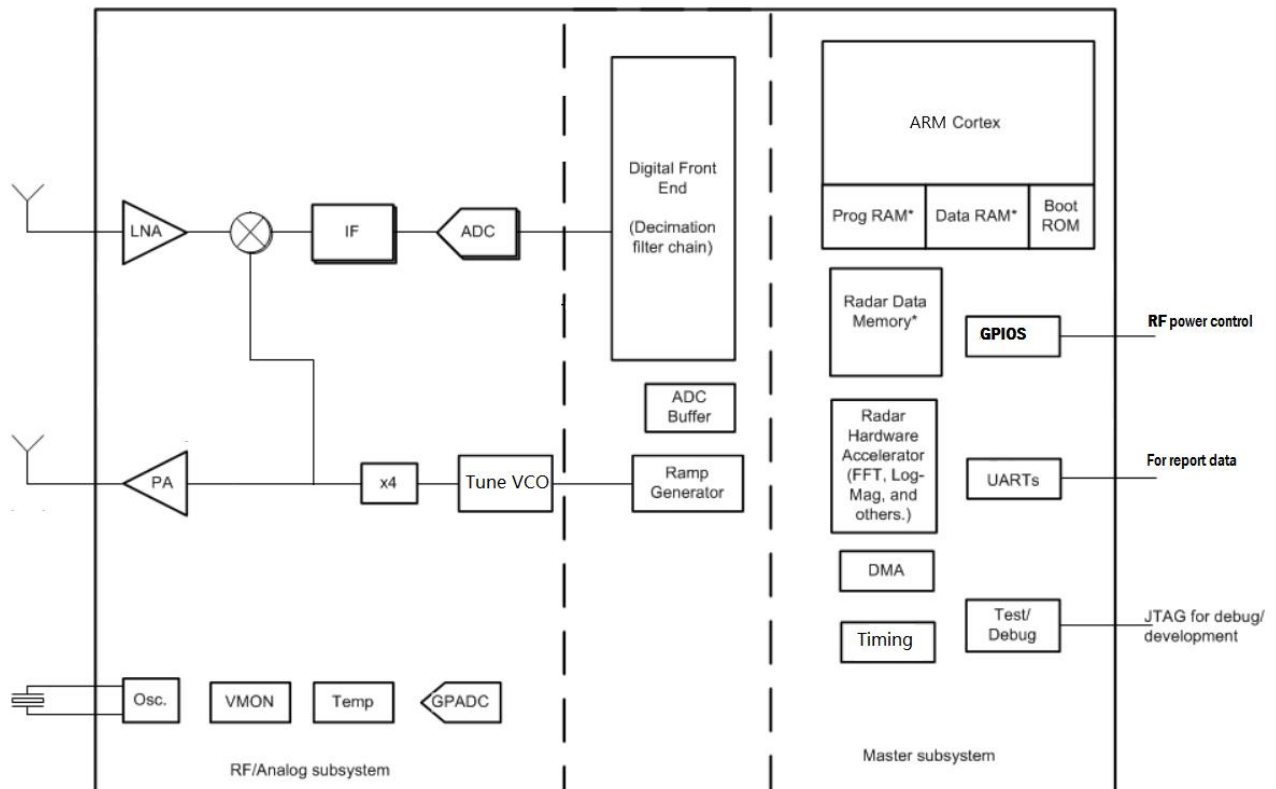


UNLESS OTHER SPECIFIED TOLERANCES ON: X=± X.X=± X.XX=		 深圳市安普盛科技有限公司	
ANGLES = ± HOLE DIA = ±			
SCALE: N/A	UNIT: mm	THIS DRAWINGS AND SPECIFICATIONS ARE THE PROPERTY OF HONMAX TECHNOLOGY Limited AND SHALL NOT BE REPRODUCED OR USED AS THE BASIS FOR THE MANUFACTURE OR SALE OF APPARATUS OR DEVICES WITHOUT PERMISSION	
DRAWN BY: WU	CHECKED BY: Xzz, Siya		
DESIGNED BY: WU	APPROVED BY: Sky		
TITLE: HLR26 Data Sheet	DOCUMENT NO.	N20230726	SPEC REV. R2

PHOTO



5. Block Diagram:




UNLESS OTHER SPECIFIED TOLERANCES ON: X=± X.X=± X.XX=		<p>深圳市安普盛科技有限公司</p>			
ANGLES = ± HOLE DIA = ±					
SCALE: N/A	UNIT: mm	THIS DRAWINGS AND SPECIFICATIONS ARE THE PROPERTY OF HONMAX TECHNOLOGY Limited AND SHALL NOT BE REPRODUCED OR USED AS THE BASIS FOR THE MANUFACTURE OR SALE OF APPARATUS OR DEVICES WITHOUT PERMISSION			
DRAWN BY: WU	CHECKED BY: Xzz, Siya				
DESIGNED BY: WU	APPROVED BY: Sky				
TITLE: HLR26 Data Sheet		DOCUMENT NO.	N20230726	SPEC REV.	R2



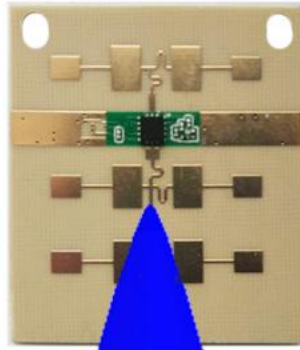
6. Electrical Characteristics:

Characteristic	CONDITIONS	MIN	TYP	MAX	UNITS
System					
Transmit Frequencies	delivery condition	K-BAND			
TX output power	@ 25°C		5		mW
Modulation	FMCW				
Update Time			100		ms
Communication Interface		UART (115200)			
Radar					
Detection Distance	@0 dBsm			2	m
Antenna					
-6dB beam	horizontal (-6dB)		36		deg
	vertical (-6dB)		59		deg
Other					
Supply Voltage			5		V (DC)
Supply Current			<80		mA
Weight			5		g

UNLESS OTHER SPECIFIED TOLERANCES ON: X=± X.X=± X.XX=		 深圳市安普盛科技有限公司			
ANGLES = ± HOLE DIA = ±					
SCALE: N/A	UNIT: mm	THIS DRAWINGS AND SPECIFICATIONS ARE THE PROPERTY OF HONMAX TECHNOLOGY Limited AND SHALL NOT BE REPRODUCED OR USED AS THE BASIS FOR THE MANUFACTURE OR SALE OF APPARATUS OR DEVICES WITHOUT PERMISSION			
DRAWN BY: WU	CHECKED BY: Xzz, Siya				
DESIGNED BY: WU	APPROVED BY: Sky				
TITLE: HLR26 Data Sheet		DOCUMENT NO.	N20230726	SPEC REV.	R2

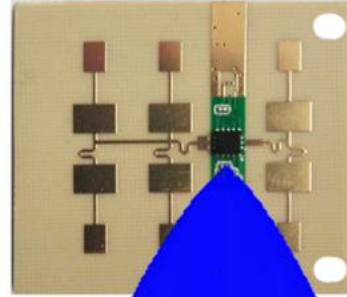


天线-6dB波束示意图



36°

← horizontal (-6dB) →



59°

← vertical(-6dB) →

UNLESS OTHER SPECIFIED TOLERANCES ON:
 X=± X.X=± X.XX=
 ANGLES = ± HOLE DIA = ±



深圳市安普盛科技有限公司

SCALE: N/A	UNIT: mm
DRAWN BY: WU	CHECKED BY: Xzz, Siya
DESIGNED BY: WU	APPROVED BY: Sky

THIS DRAWINGS AND SPECIFICATIONS ARE THE PROPERTY OF HONMAX TECHNOLOGY Limited AND SHALL NOT BE REPRODUCED OR USED AS THE BASIS FOR THE MANUFACTURE OR SALE OF APPARATUS OR DEVICES WITHOUT PERMISSION

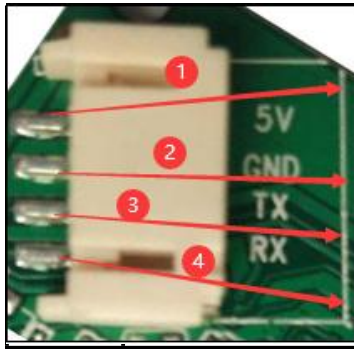
TITLE: HLR26 Data Sheet

DOCUMENT NO.

N20230726

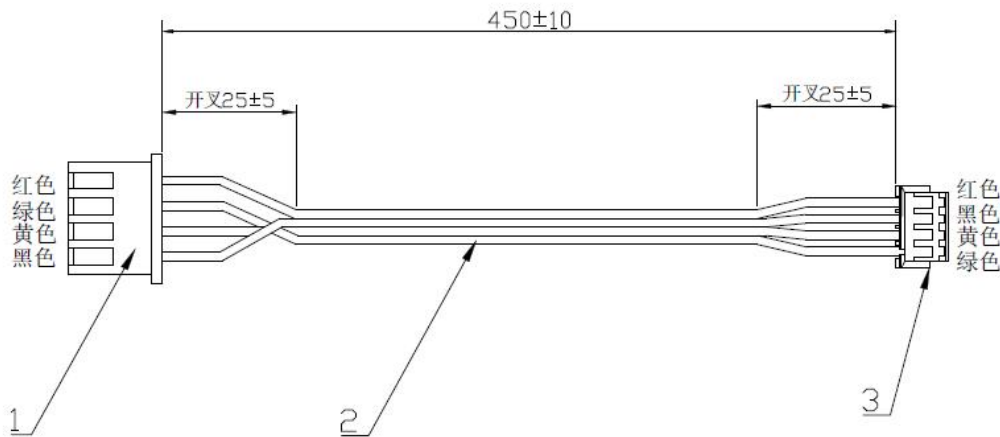
SPEC REV.
R2

7. 接口定义:



PIN#	DESCRIPTION	IN/OUT	COMMENT
PIN1	Power	input	5 (V)
PIN2	GND	-	GND
PIN3	TX	Output (OD)	TTL (3.3/5V)
PIN4	RX	input	TTL (3.3/5V)

8. 线材规格 (单位: MM):



Item	Description	Qty
1	XH2.5 terminal 4P Red Plastic	1Pcs
2	Cable UL1571 26AWG(red, black,yellow,green)	460mm
3	PH2.0 terminal 4P White Plastic	1Pcs

UNLESS OTHER SPECIFIED TOLERANCES ON: X=± X.X=± X.XX=		<p>深圳市安普盛科技有限公司</p>	
ANGLES = ± HOLE DIA = ±			
SCALE: N/A	UNIT: mm	THIS DRAWINGS AND SPECIFICATIONS ARE THE PROPERTY OF HONMAX TECHNOLOGY Limited AND SHALL NOT BE REPRODUCED OR USED AS THE BASIS FOR THE MANUFACTURE OR SALE OF APPARATUS OR DEVICES WITHOUT PERMISSION	
DRAWN BY: WU	CHECKED BY: Xzz, Siya		
DESIGNED BY: WU	APPROVED BY: Sky		
TITLE: HLR26 Data Sheet	DOCUMENT NO.	N20230726	SPEC REV. R2

9. 安装角度:

装于马桶内，天线的法线与水平夹角为25-35°。

10. 注意事项:

1、存储条件:

- ①为避免损坏电路，在存储、使用时都应采取ESD静电防护措施；
- ②产品在交付后应1年内被使用，存储温度适宜在0℃~30℃，湿度应小于60%RH。

2、使用条件:

- ①请严格按照产品手册所示的电气参数（例如电压、电流等）范围内使用，如果超标使用，会降低产品的可靠性，并可能造成硬件永久性损坏，导致产品功能失效；
- ②安装前请将马桶断电，确认接线正确；
- ③可操作温度范围：-20℃~ +70℃。


注：详见使用注意事项。

11. 协议:

串口默认波特率为115200，详细通讯协议见通讯协议文件。

12. 变更记录

版本	变更内容	变更人	生效日期
2023/06/28	首次发布	WU	2023-06-28
2023/07/26	更改客户料号	WU	2023-07-26

UNLESS OTHER SPECIFIED TOLERANCES ON: X=± X.X=± X.XX= ANGLES = ± HOLE DIA = ±		 深圳市安普盛科技有限公司
SCALE: N/A	UNIT: mm	
DRAWN BY: WU	CHECKED BY: Xzz, Siya	THIS DRAWINGS AND SPECIFICATIONS ARE THE PROPERTY OF HONMAX TECHNOLOGY Limited AND SHALL NOT BE REPRODUCED OR USED AS THE BASIS FOR THE MANUFACTURE OR SALE OF APPARATUS OR DEVICES WITHOUT PERMISSION
DESIGNED BY: WU	APPROVED BY: Sky	
TITLE: HLR26 Data Sheet	DOCUMENT NO.	N20230726
		SPEC REV. R2